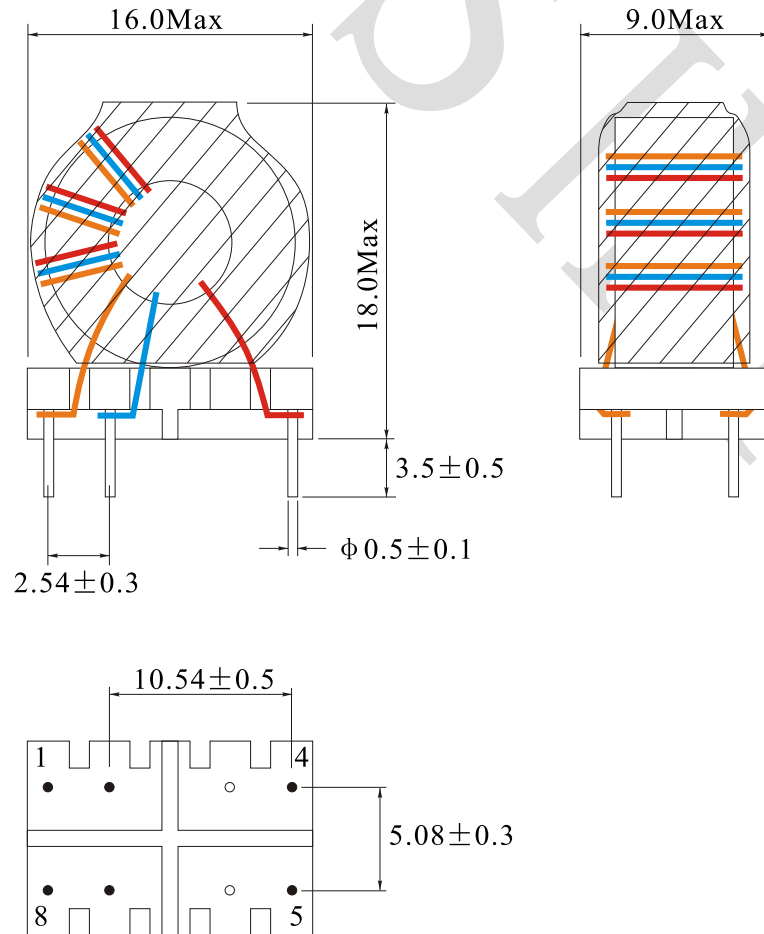
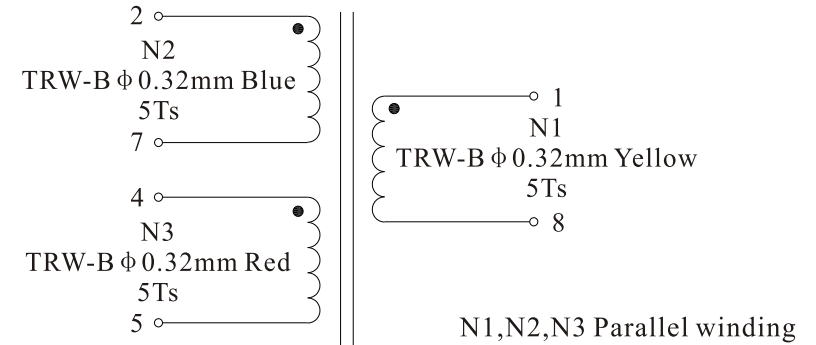


Rev.	Description	Date
A0	New release	2023.05.10

1. PHYSICAL CHARACTERISTICS (mm)



2. ELECTRONICAL SCHEMATIC



3. ELECTRONICAL SPECIFICATIONS

Turns ratio: (1-8):(2-7):(4-5)=1:1:1

Inductance(each winding): 10.9uH±30%@1.0KHz,1V

DCR(each winding): 30mΩ Max

Hi-Pot: 3000Vac,5mA,60S Coil to Core

5600Vac,5mA,60S Pin1,2,7,8 to Pin 4,5

Operating temperature: -40°C to +105°C

Storage temperature: -20°C to +65°C

NAME:	Isolation transformers for narrowband PLC system		
CUSTOMER P/N:		DATE:	2023-05-10
SHINHOM P/N:	T1246	REV:	A0
DRAWN BY:	CHECKED BY:	APPROVE BY:	



SHINHOM
SHAANXISHINHOM ENTERPRISE CO LTD

The Document property belong to SHINHOM & is not allowed to be duplicated without authorization