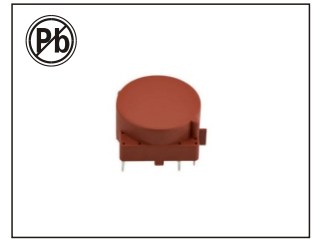


ISOLATION TRANSFORMERS FOR NARROWBAND PLC SYSTEMS

T4185 Series

FEATURES:

- Excellent transmission characteristics
- High mains current capability, low THD
- Matching with all leading IC (modulation methods FSK, DCSK and OFDM)
- Compliant with all PLC standards (HomePlug, CENELEC ...)
- Compact designs in THT and SMT housings
- Insulation according to IEC 60950, UL 1950 and IEC 61558



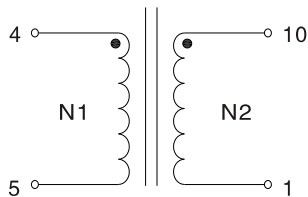
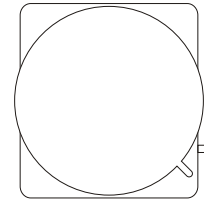
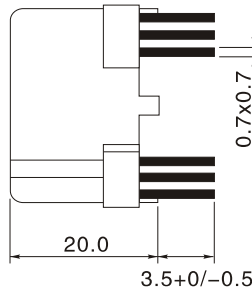
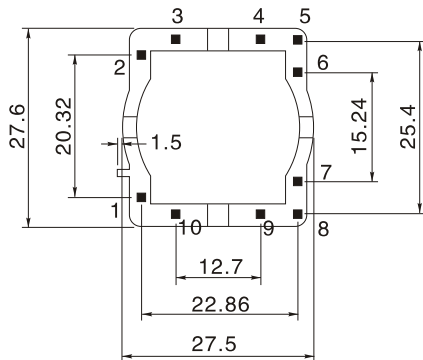
DESCRIPTION:

For narrowband PLC systems where the operating frequency may be up to 500 kHz isolation transformers based on amorphous or nanocrystalline offer excellent transmission characteristics, high robustness against EMC interferences and safe galvanic insulation.

STANDARD SPECIFICATION:

Part Number	Turns ratio	Sec. current (mA)Max	Sec. Inductance (mH)Min	Sec. Leakage inductance (Short Pri.) (uH)	Capacitance Pri to Sec (pF)Typ.	Sec. DCR (Ω)Typ.	Insulation voltage Pri. to Sec. (V)	Hi-Pot (kV)
T4185-047	1:1	50	1.4	0.8	15	0.2	400	10.0

PHYSICAL CHARACTERISTICS



Notes:

- Electrical specification at 25°C
- Testing: LCR Bridge measured @ 1KHz 0.1V HP 4284A (Equivalent acceptable)
- RDC: QuadTech 1880 Milliohm meter
- Operating temperature rang: -40°C to +125°C
- Storage temperature rang: -40°C to +125°C

Note: All specifications subject to change without notice.