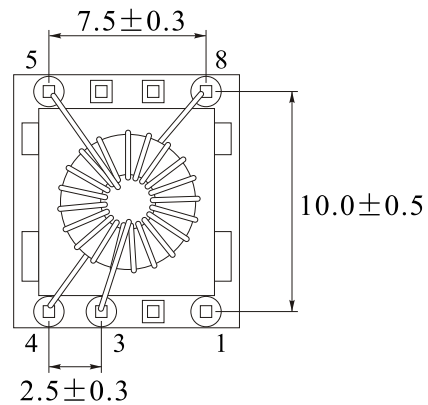
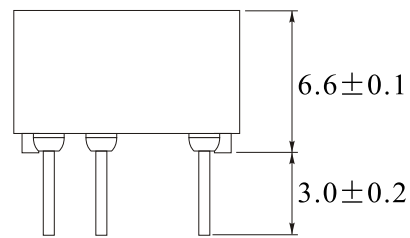
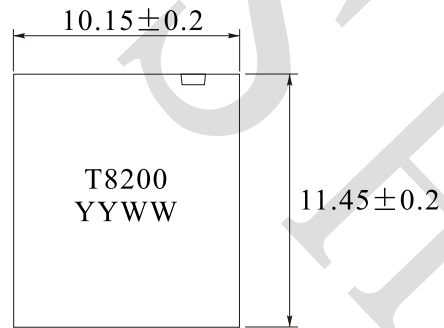
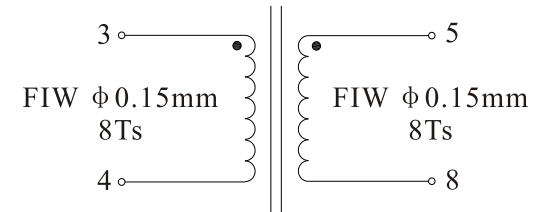


| Rev. | Description | Date |
|------|-------------|------------|
| A0 | New release | 2023.12.29 |
| | | |
| | | |

1. PHYSICAL CHARACTERISTICS (mm)



2. ELECTRICAL SCHEMATIC



3. ELECTRICAL SPECIFICATIONS

Turns ratio: (3-4):(5-8)=1:1

Inductance(3-4): 20.0uH Min@2.5MHz,0.1V

LK(3-4): 0.3uH Max@2.5MHz,0.1V, tie 5-8

Interwinding capacitance(4-5): 5pF Max@2.5MHz,0.1V

DCR(3-4): 96mΩ Max

(5-8) 96mΩ Max

Hi-Pot: 5000Vac,1mA,60S

Operating temperature: -40°C to +75°C

(Including self-temp. rise)

Storage temperature: -40°C to +85°C

| | | | |
|---------------|---|------------|------------|
| NAME: | Isolation transformers for broadband PLC system | | |
| CUSTOMER P/N: | | DATE: | 2023-12-29 |
| SHINHOM P/N: | T8200 | REV: A0 | PAGE |
| DRAWN BY | CHECKED BY | APPROVE BY | |



SHINHOM
SHAANXISHINHOM ENTERPRISE CO LTD

The Document property belong to SHINHOM & is not allowed to be duplicated without authorization